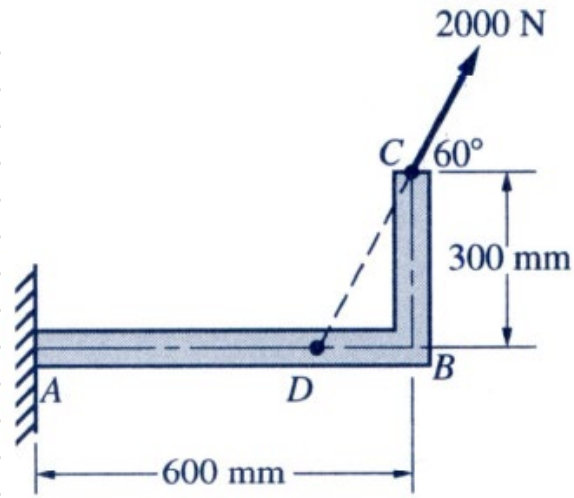


2-33

Determine the moment of the 2000-N force shown about A by (a) using the definition directly, (b) resolving the force into horizontal and vertical components at C, and (c) resolving the force into components at D.

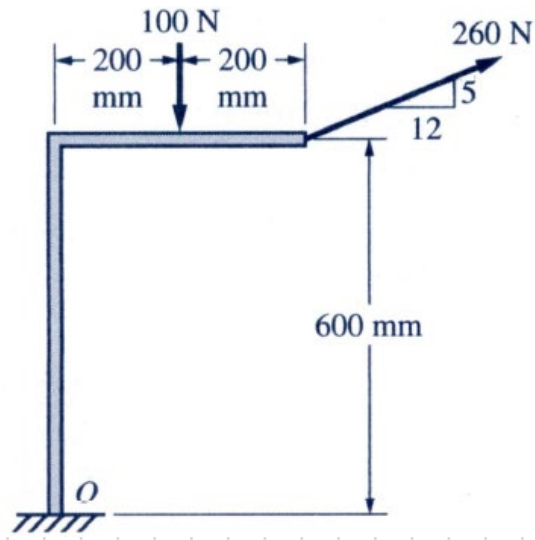
Solution.



2-36

Refer to Fig. P2-36. Determine the total moment of the two forces about point O.

Solution.



2-43 and 2-44 Determine the resultant moment of the couples acting on the bodies shown in Figs. P2-43 and P2-44.
2-44

Solution.

